

Polyethylene PE Ball Valve

PE20 - PE180



🇬🇧 PE valve for gas distribution system. Available in various PE dimension, SDR dimension, type and pressure classes.

Technical Details

Maximum Operating Pressure MOP:

PE SDR11 - 10 bar / PN10

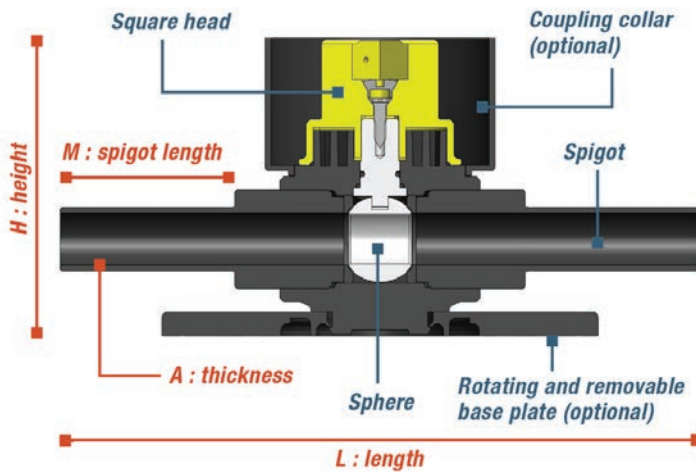
PE SDR17,6 - 6 bar / PN6

Certification:

GIS/V7-2, EN1555 available on request

Application:

Natural gas lines at medium working pressure and temperature range from -20° to +40°C



No	Part Name	Material
1	Body	Virgin PE100 Black
2	Spigots	Virgin PE100 Black
3	Ball	Natural Polyacetal POM
4	Operating Stem	Natural Polyacetal POM for Ø20, 32, 63, 180 Nickel Plated Brass for Ø90
5	Operating Square Head	Yellow polypropylene
6	Gaskets	Elastomer NBR

Dimension (mm & kg)

Ø PE	20	32	63	90	180
SDR	11	11	11	17,6	17,6
L	323	323	456	389	755
H	148	148	202	202	344
M	87	87	112	114	210
A	3,0	3,0	5,8	5,2	10,3
Weight kg	0,6	0,6	2	5	15