

OS&Y Resilient Seated Gate Valve Flanged Ends



AF04-200-250F

14" - 24"

200/250 PSI



Material Specification

No	Part Name	Material - ASTM Specification
1	Body	Ductile Iron A536 65-45-12
2	Wedge	Ductile Iron, EPDM Encapsulated
3	Wedge Nut	Stainless Steel AISI 304
4	Stem	Stainless Steel AISI 420
5	Bonnet	Ductile Iron A536 65-45-12
6	Gasket	EPDM
7	Packing	Graphite
8	Gland	Ductile Iron A536 65-45-12
9	Stem Nut	Bronze C83600
10	Yoke	Ductile Iron A536 65-45-12
11	Handwheel	Ductile Iron A536 65-45-12
12	NPT Plug	Malleable Iron
13	Gland Bolt	Stainless Steel AISI 316
14	Bonnet Bolt	Carbon Steel A307 B

Technical Details

Maximum Working Pressure PFA:

250 PSI / 17 bar for 14"-16"-18"

200 PSI / 13.8 bar for 20"-24"

Working temperature:

42 °F to 180 °F (6 °C to 82 °C)

Construction complies to:

Complies with AWWA C515 Standard

Certification:

UL Listed

FM Approved for size 14"-16"

Connection:

Flanges to ANSI B16.1 Class 125

(other flange types available on request)

Coating:

300 µm FBE coating, external and internal to AWWA C550

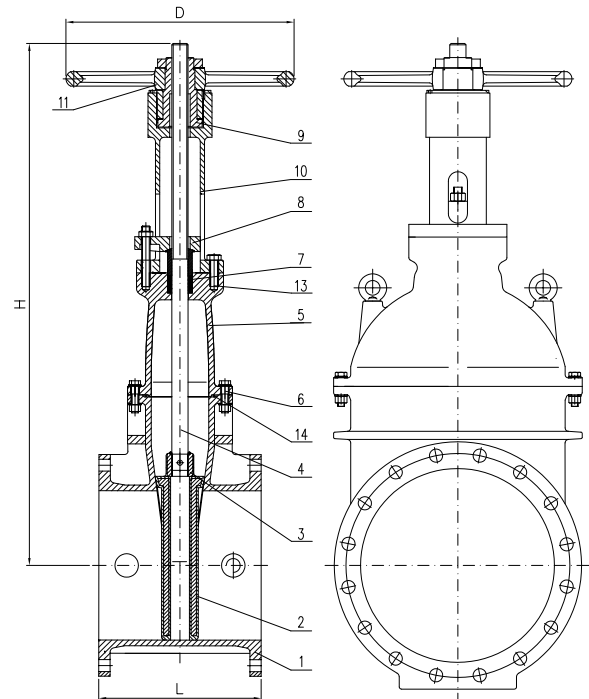
Application:

Valves installed in horizontal piping systems should have the stems oriented vertically

Valves installed in vertical piping systems should have the stems oriented horizontally

Design features

- High quality graphite stem seal
- Heavy duty handwheel and nut
- NPT plug on body achieves perfect top seal when valve is in open position.



SIZE		350/14"	400/16"	450/18"	500/20"	600/24"
AF04		AM0248	AM0249	AM0250	AM0251	AM0252
L	[inch]	15	16	17	18	20
	[mm]	381	406	432	457	508
H (Open)	[inch]	61,97	70,31	79,53	89,61	102,36
	[mm]	1574	1786	2020	2276	2600
H (Close)	[inch]	48,19	54,57	61,81	69,92	78,74
	[mm]	1224	1386	1570	1776	2000
D	[inch]	17,5	21	24	24	30
	[mm]	445	535	610	610	762
Weight (kg)		260	348	495	615	795