

NRS Resilient Seated Gate Valve Flanged- MJ Ends



AF07-300FMJ

3" - 12"

300 PSI



Material Specification

No	Part Name	Material - ASTM Specification
1	Body	Ductile Iron A536 65-45-12
2	Wedge	Ductile Iron, EPDM Encapsulated
3	Wedge Nut	Bronze B62 C83600
4	Stem	Stainless Steel AISI 420
5	O-ring	EPDM
6	Bonnet	Ductile Iron A536 65-45-12
7	O-ring	EPDM
8	Packing	Graphite
9	O-ring	EPDM
10	Thrust Collar	Bronze B62 C83600
11	O-ring	EPDM
12	Post Flange	Ductile Iron A536 65-45-12
13	O-ring	EPDM
14	Bolts	Carbon Steel
15	Nut Cap	Ductile Iron A536 65-45-12
16	Plug	Malleable Iron

Technical Details

Maximum Working Pressure PFA:

300 PSI / 20,7 bar for 2,5"-12"

200/250 PSI available on request

Working temperature:

42 °F to 180 °F (6 °C to 82 °C)

Construction complies to:

Complies with AWWA C515 Standard

Certification:

UL Listed and FM Approved

Connection:

Flanges to ANSI B16.1 Class125

(other flange types available on request)

Mechanical Joint Ends to ANSI/AWWA C153/A21.53 Standard

Coating:

300 µm FBE coating, external and internal to AWWA C550

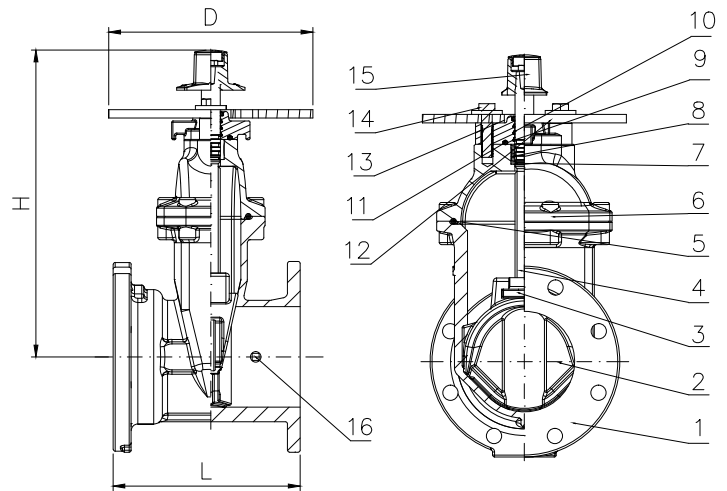
Application:

Valves installed in horizontal piping systems should have the stems oriented vertically

Valves installed in vertical piping systems should have the stems oriented horizontally

Design features

- Non-Rising Stem, Resilient Seated
- Triple O-rings stem seal
- Lifting lugs built into stuffing gland.



SIZE		80/3"	100/4"	150/6"	200/8"	250/10"	300/12"
AF04		AM0433	AM0434	AM0435	AM0436	AM0437	AM0438
L	[inch]	8-3/4	9-1/2	11	12	13-7/8	14-7/16
	[mm]	222	241,5	279,5	305	352,5	367
H	[inch]	11-5/8	13-3/4	17-15/16	21-7/16	25-3/8	28-3/4
	[mm]	296	350	455	545	645	730
D	[inch]	--	12	12	12	12	12
	[mm]	--	305	305	305	305	305
Weight (kg)		21,4	31	51,5	77,5	114	169,5