

OS&Y Resilient Seated Gate Valve Flange - Grooved Ends



AF04-300FG

2,5" - 12"

300 PSI



Technical Details

Maximum Working Pressure PFA:

300 PSI / 20,7 bar for 2,5"-12"
200/250 PSI available on request

Working temperature:

42 °F to 180 °F (6 °C to 82 °C)

Construction complies to:

Complies with AWWA C515 Standard

Certification:

UL Listed and FM Approved

Connection:

Flanges to ANSI B16.1 Class125
(other flange types available on request)
Grooved Ends to AWWA C606 Standard or Metric Dimension

Coating:

300 µm FBE coating, external and internal to AWWA C550

Application:

Valves installed in horizontal piping systems should have the stems oriented vertically

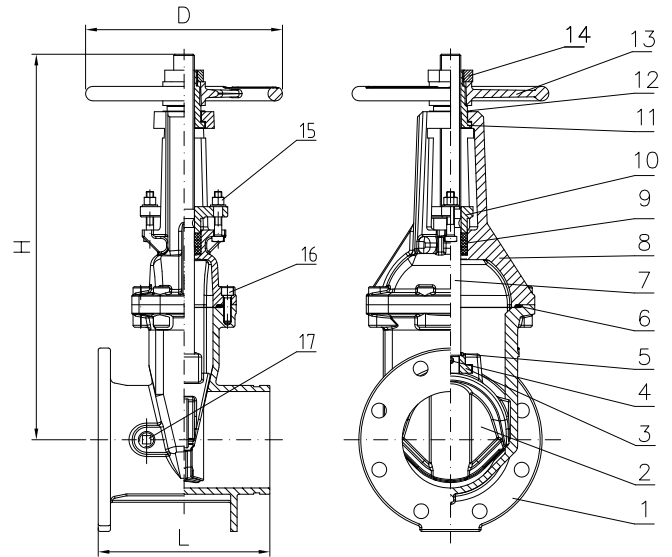
Valves installed in vertical piping systems should have the stems oriented horizontally

Design features

- High quality graphite stem seal
- Heavy duty handwheel and nut
- NPT plug on body achieves perfect top seal when valve is in open position.

Material Specification

No	Part Name	Material - ASTM Specification
1	Body	Ductile Iron A536 65-45-12
2	Wedge	Ductile Iron, EPDM Encapsulated
3	Wedge Nut	Stainless Steel AISI 304
4	Pin	Stainless Steel AISI 304
5	O-ring	EPDM
6	Gasket	EPDM
7	Stem	Stainless Steel AISI 420
8	Bonnet	Ductile Iron A536 65-45-12
9	Packing	Graphite
10	Gland	Ductile Iron A536 65-45-12
11	Yoke Nut	Bronze C83600
12	Washer	Brass
13	Handwheel	Ductile Iron A536 65-45-12
14	Handwheel Nut	Ductile Iron A536 65-45-12
15	Bolt, Nut	Stainless Steel A2-70
16	Bonnet Bolt	Carbon Steel A307 B
17	NPT Plug	Malleable Iron



SIZE		65/2,5"	80/3"	100/4"	125/5"	150/6"	200/8"	250/10"	300/12"
AF04		AM0425	AM0426	AM0427	AM0428	AM0429	AM0430	AM0431	AM0432
L	[inch]	7-1/2	8	9	10	10-1/2	11-1/2	13	14
	[mm]	190,5	203	229	254	267	292	330	356
H (Open)	[inch]	16-5/8	18-7/8	21-5/8	25-4/5	29-1/8	36-5/8	44-1/2	52
	[mm]	415	480	550	655	740	930	1130	1320
H (Close)	[inch]	13-3/4	15-3/4	17-3/4	20-7/8	23-1/4	28-3/4	34-3/4	40-1/6
	[mm]	350	400	450	530	590	730	880	1020
D	[inch]	7-1/4	10	10	12	12	14	17-1/2	17-1/2
	[mm]	184	254	254	305	305	356	445	445
Weight (kg)		16,5	21,5	29	41,5	47	73	117	162