

## Vertical Indicator Post with Gearbox



**AF03**

**14" - 24"**

### Technical Details

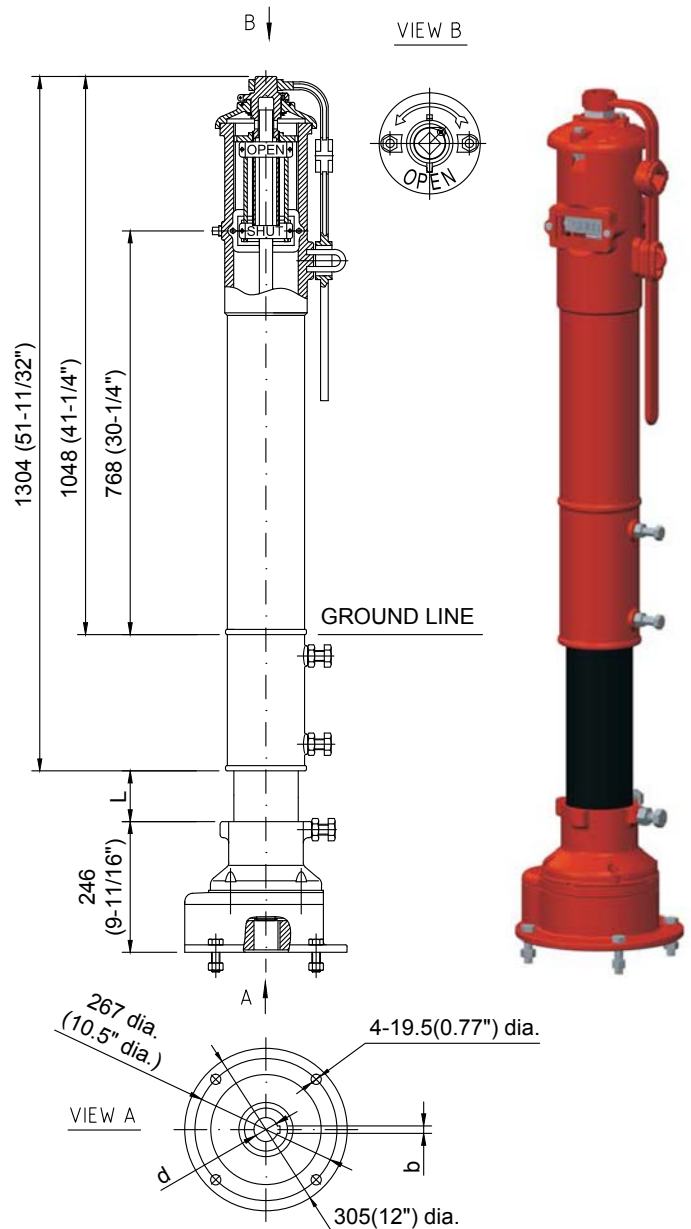
**Certification:**  
UL Listed  
**Coating:**  
300 µm FBE coating, external and internal red spray epoxy, RAL 3000

### Design features

- Indicates if the valve is in the OPEN or SHUT position
- Built-In Gear Drive reduces the torque necessary to open and shut large valves
- Provides a means to operate a buried or otherwise inaccessible valve
- The adjustable dimension "L" is 34.5" to suit deeper buried valves. If further adjustment is required, specify at time of order
- The wrench handle fits over a "U" bracket on the barrel and may be fixed to the barrel with a padlock (provided by others) for security.
- OPEN and SHUT targets can be easily adjusted to fit exactly in the viewing window.

### Material Specification

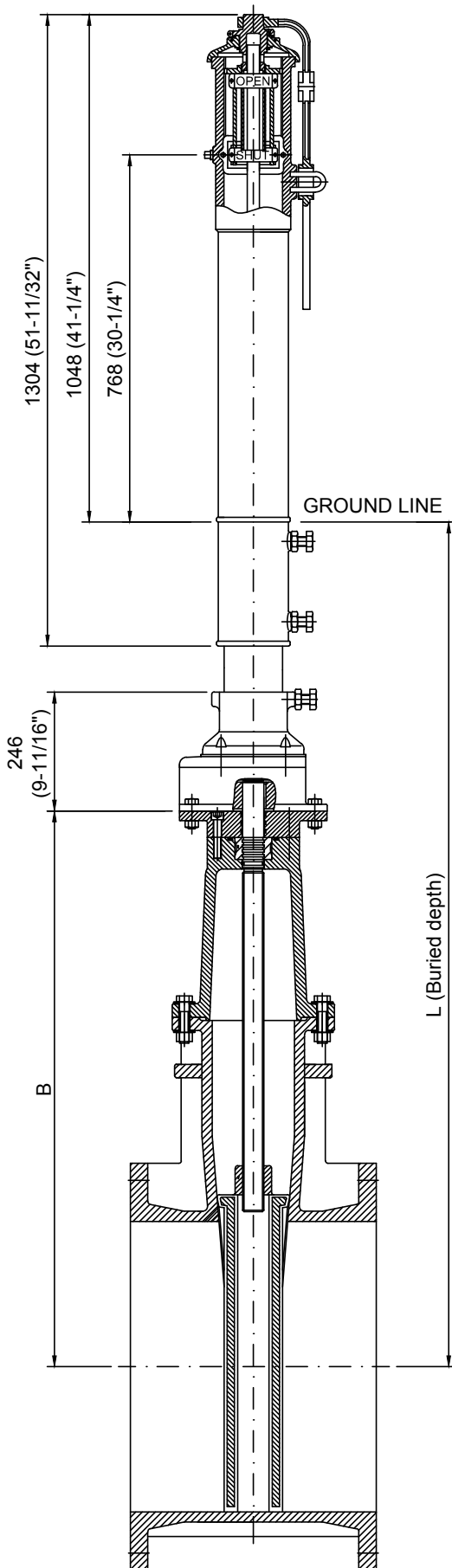
No	Part Name	Material - ASTM Specification
1	Body	Casr Iron ASTM A126 Class B
2	Top Section	Casr Iron ASTM A126 Class B
3	Target Carrier Nut	Bronze ASTM B62 C83600
		Stainless Steel AISI 304
4	Operating Nut	Bronze ASTM B62 C83600
		Stainless Steel AISI 304
5	Locking Wrench	Ductile Iron ASTM A536 65-45-12
6	Stem	Carbon Steel, AISI 1045
7	Standpipe	Carbon Steel, ASTM A53
8	Targey	Aluminium ASTM B108-336.0
9	Input Gear	Carbon Steel, AISI 1045
10	Gear Stem	Stainless Steel AISI 420
11	Gear	Ductile Iron ASTM A536 65-45-12
12	Housing	Casr Iron ASTM A126 Class B
13	Base Flange	Casr Iron ASTM A126 Class B
14	Hexagonal Nuts	Carbon Steel, ASTM A307B
15	Hexagonal cap Screws	Carbon Steel, ASTM A307B



SIZE		350/14"	400/16"	450/18"	500/20"	600/24"
AF03		AM0269	AM0270	AM0271	AM0272	AM0273
a	[inch]	1,626	1,626	2,039	2,118	2,453
	[mm]	41,3	41,3	51,8	53,8	62,3
b	[inch]	0,472	0,472	0,551	0,551	0,630
	[mm]	12	12	14	14	16
d	[inch]	1,496	1,496	1,890	1,970	2,283
	[mm]	ø38	ø38	ø48	ø50	ø58
Weight (kg)		103,5				



**Post Indicator Valve Assembly**



Size	Dimension B		H (Bury depth Range)			
			Min		Max	
	mm	inch	mm	inch	mm	inch
14"	727	28,62	1230	48,4	2106	82,9
16"	795	31,30	1298	5,1	2174	85,6
18"	910	35,83	1412	55,6	2290	90,1
20"	985	38,78	1486	58,5	2362	93,0
24"	1121,9	44,17	1623	63,9	2500	98,4

Note:  
Dimension "L" is standard adjustment range of bury depth, please specify if additional depth is required.