

Vertical Indicator Post



AF03-W

Technical Details

Certification:

UL Listed and FM Approved

Coating:

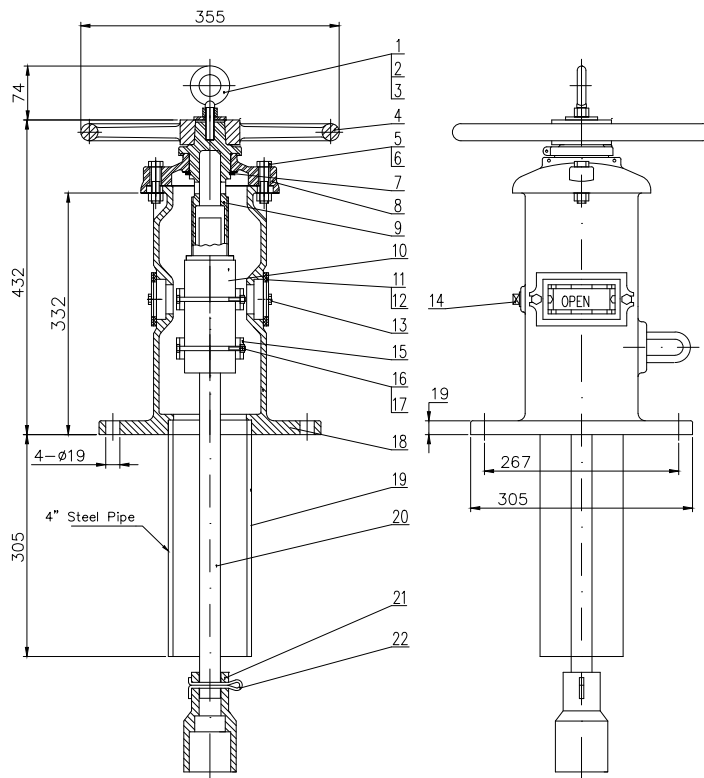
300 µm FBE coating, external and internal red spray epoxy, RAL 3000

Design features

- Indicates if the valve is in the open or shut position
- Used to operate a valve installed behind a wall
- With a 12" O.D. post flange to mount on a wall
- Operated by handwheel
- Can be supplied in open left or open right.



SIZE	
AF03	AM0274
Weight (kg)	40,5



Material Specification

No	Part Name	Material - ASTM Specification
1	Eyebolt	Carbon Steel, ASTM A307B
2	Hex Nut	Carbon Steel, ASTM A307B
3	Washer	Carbon Steel, ASTM A536 Gr.33
4	Handwheel	Ductile Iron ASTM A536 65-45-12
5	Hex Cap Screw	Carbon Steel, ASTM A307B
6	Square Nut	Carbon Steel, ASTM A307B
7	Snap Ring	Stainless Steel, AISI 1066
8	Cover	Cast Iron ASTM A126 Class B
9	Operating Nut	Bronze ASTM B62 C83600 Stainless Steel, AISI 304
10	Target Carrier Nut	Bronze ASTM B62 C83600 Stainless Steel, AISI 304
11	Window Glass	Plexiglass
12	Gasket	PTFE
13	Hex Nut	Carbon Steel, ASTM A307B
14	Plug	Malleable Iron
15	Target	Cast Aluminium
16	Hex Cap Screw	Carbon Steel, ASTM A307B
17	Hex Nut	Carbon Steel, ASTM A307B
18	Body	Cast Iron ASTM A126 Class B
19	Stem	Carbon Steel, AISI 1045
20	Crane Coupling	Ductile Iron ASTM A536 65-45-12
21	Cotter Pin	Stainless Steel, AISI 304