

NRS Resilient Seated Gate Valve Flanged Ends



AF04-200-250F

14" - 24"

200-250 PSI



Technical Details

Maximum Working Pressure PFA:

250 PSI / 17 bar for 14"-18"

200 PSI / 13.8 bar 20"-24"

Working temperature:

42 °F to 180 °F (6 °C to 82 °C)

Construction complies to:

Complies with AWWA C515 Standard

Certification:

UL Listed

FM Approved for size 14"-16"

Connection:

Flanges to ANSI B16.1 Class125
(other flange types available on request)

Coating:

300 µm FBE coating, external and internal to AWWA C550

Application:

Valves installed in horizontal piping systems should have the stems oriented vertically

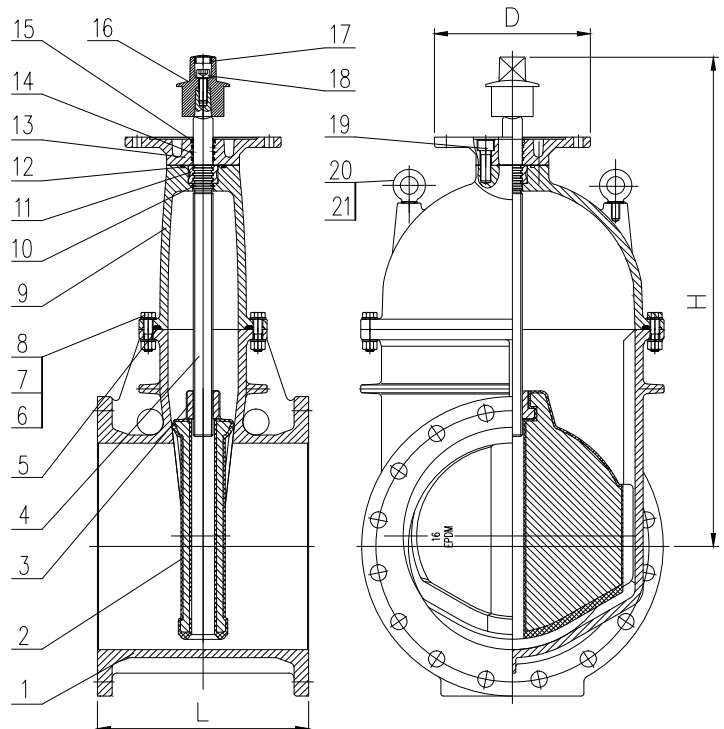
Valves installed in vertical piping systems should have the stems oriented horizontally

Design features

- Non-Rising Stem, Resilient Seated
- Triple O-rings stem seal
- Lifting lugs built into stuffing gland.

Material Specification

No	Part Name	Material - ASTM Specification
1	Body	Ductile Iron A536 65-45-12
2	Wedge	Ductile Iron, EPDM Encapsulated
3	Wedge Nut	ASTM C67400
4	Stem	Stainless Steel AISI 431
5	Gasket	EPDM
6	Bolts	Carbon Steel, ASTM A307B
7	Nuts	Carbon Steel, ASTM A307B
8	Washers	Carbon Steel, Zinc Plated
9	Bonnet	Ductile Iron A536 65-45-12
10	O-Ring	EPDM
11	Thrust Collar	ASTM C67400
12	O-Ring	EPDM
13	Gland	Ductile Iron A536 65-45-12
14	O-Ring	EPDM
15	Dustproof Ring	NBR
16	Hand wheel / Operating Nut	Ductile Iron A536 65-45-12
17	Washer	Carbon Steel, Zinc Plated
18	Bolt	Carbon Steel, ASTM A307B
19	Bolts	Carbon Steel, ASTM A307B
20	Eyebolts	Carbon Steel, ASTM A307B
21	Washers	Carbon Steel, Zinc Plated





SIZE		350/14"	400/16"	450/18"	500/20"	600/24"
AF04		AM0263	AM0264	AM0265	AM0266	AM0267
L	[inch]	15	16	17	18	20
	[mm]	381	406	432	457	508
H	[inch]	32,87	35,83	41,34	44,09	50,79
	[mm]	835	910	1050	1120	1290
D	[inch]	12	12	12	12	12
	[mm]	305	305	305	305	305
Weight (kg)		193	226	430	597	754