

NRS Resilient Seated Gate Valve Flanged - Grooved Ends



AF07-300FG

2,5" - 12"

300 PSI



Material Specification

No	Part Name	Material - ASTM Specification
1	Body	Ductile Iron A536 65-45-12
2	Wedge	Ductile Iron, EPDM Encapsulated
3	Wedge Nut	Bronze B62 C83600
4	Stem	Stainless Steel AISI 420
5	O-ring	EPDM
6	Bonnet	Ductile Iron A536 65-45-12
7	O-ring	EPDM
8	Packing	Graphite
9	O-ring	EPDM
10	Thrust Collar	Bronze B62 C83600
11	O-ring	EPDM
12	Post Flange	Ductile Iron A536 65-45-12
13	O-ring	EPDM
14	Bolts	Carbon Steel
15	Nut Cap	Ductile Iron A536 65-45-12
16	Plug	Malleable Iron

Technical Details

Maximum Working Pressure PFA:

300 PSI / 20,7 bar for 2,5"-12"

200/250 PSI available on request

Working temperature:

42 °F to 180 °F (6 °C to 82 °C)

Construction complies to:

Complies with AWWA C515 Standard

Certification:

UL Listed and FM Approved

Connection:

Flange to ANSI B16.1 Class125

(other flange types available on request)

Grooved End to AWWA C606 Standard or Metric Dimension

Coating:

300 µm FBE coating, external and internal to AWWA C550

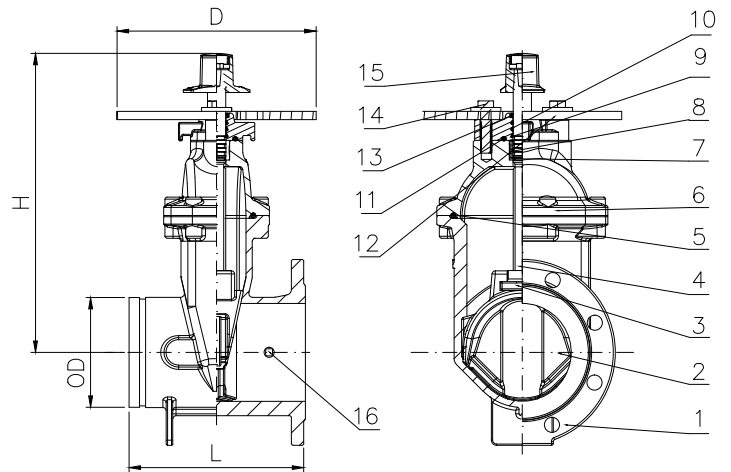
Application:

Valves installed in horizontal piping systems should have the stems oriented vertically

Valves installed in vertical piping systems should have the stems oriented horizontally

Design features

- Non-Rising Stem, Resilient Seated
- Triple O-rings stem seal
- Lifting lugs built into stuffing gland.



SIZE		65/2,5"	80/3"	100/4"	125/5"	150/6"	200/8"	250/10"	300/12"
AF04		AM0453	AM0454	AM0455	AM0456	AM0457	AM0458	AM0459	AM0460
L	[inch]	7-1/2	8	9	10	10-1/2	11-1/2	13	14
	[mm]	190,5	203	229	254	267	292	330	356
H	[inch]	10-5/8	11-5/8	13-3/4	16-1/8	17-15/16	21-7/16	25-3/8	28-3/4
	[mm]	270	296	350	410	455	545	645	730
OD	[inch]	2-7/8	3-1/2	4-1/2	5-1/2	6-1/2	8-5/8	10-3/4	12-3/4
	[inch]	3			6-9/16	6-5/8			
	[mm]	73	88,9	114,3	139,7	165,1	219,1	273	323,9
	[mm]	76,1			141,3	168,3			
D	[inch]	--	--	12	12	12	12	12	12
	[mm]	--	--	305	305	305	305	305	305
Weight (kg)		11,4	11,7	28,2	36,4	43,6	70,9	103,8	144,1