

## Fire Hydrant Type II

AF01

DN80

PN16



### Technical Details

**Maximum Working Pressure PFA:**  
16 bar / PN16

**Working temperature:**  
-10°C to +60°C

**Construction complies to:**  
Fully compliant with BS 750 Type II,  
Hydrostatic Tests: 17.6 bar (seat) and 24 bar (full body), BS EN 14339,  
Corrosion resistant and complies with BS EN 1074-6 for potable (drinking) water

**Certification:**  
BSI Kitemark to BS 750 and BS EN 14339  
Construction Products Directive (CPD) 89/106/EEC

**Connection:**  
Inlet: Flange DN80 drilled to PN10, PN16 (EN 1092-2), B10 Table D/E and ANSI 125#

Outlet: 2½" London Round Thread to BS 750  
(others available on request)

**Flow requirement:**  
kv > 92 m³/h, min 2,000 l/min  
Actual: 2058 l/min

**Coating:**  
Blue FBE coating external and internal WRAS approved, compliant to BS EN 14901:2006, 300 µm min. WIS-4 52-01 Class B

**Number of turns:**  
Clockwise close  
- number of turns to start flow < 0.5  
- number of turns to fully open 7

**Drainage:**  
Volume of retained water 3 ml  
Time to drain 3½ mins

**Additional Test Data (BS 750):**

Hydraulic Test to BS 750

Seat 1.1 x PN

Body 1.5 x PN

MOT value 105

mST value 210

**Application:**

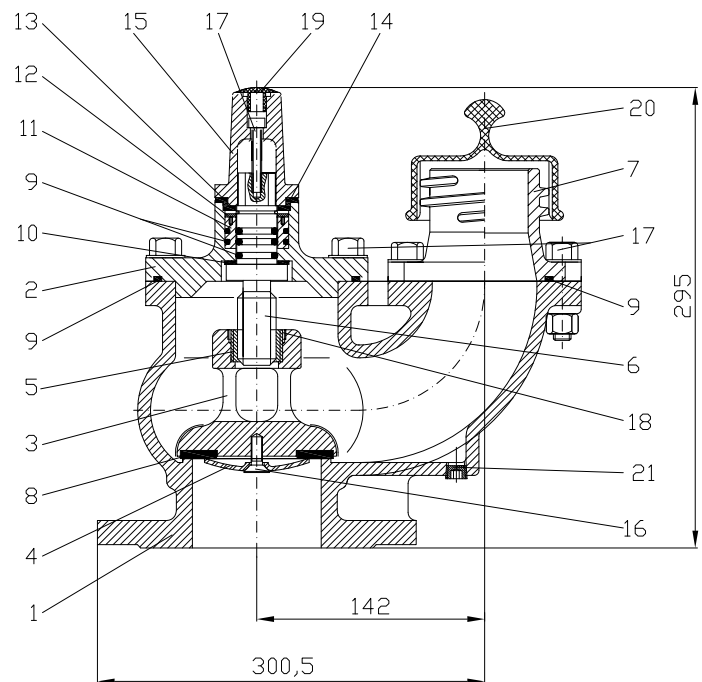
Potable water lines and fire-fighting system

### Design features

- Sturdy ductile iron construction
- Internal and external fusion bonded epoxy coating for long lasting corrosion-free life
- 2½" London Round Thread connection (others available)
- Special inlet flange to accept multiple flange standards, reducing inventory
- Drain system for actual frost protection.

### Material Specification

No	Part Name	Material
1	Body	Ductile Iron EN-GJS-450-10
2	Bonnet	Ductile Iron EN-GJS-450-10
3	Disc	Ductile Iron EN-GJS-450-10
4	Plate	Stainless Steel X5CrNi18-10/1.4301/304
5	Nut	H.T. dezincification resistant Brass
6	Stem	Stainless Steel X5CrNi18-10/1.4301/304
7	Outlet	H.T. dezincification resistant Brass
8	Seal Ring	Elastomer EPDM
9	O-ring Seal	Elastomer EPDM
10	Washer	Stainless Steel X5CrNi18-10/1.4301/304
11	Bushing	Plastic POM
12	Washer	Stainless Steel X5CrNi18-10/1.4301/304
13	Wire Ring	Stainless Steel X5CrNi18-10/1.4301/304
14	Cap Washer	Plastic PPS
15	Cap Top	Ductile Iron EN-GJS-450-10
16	Screw	Stainless Steel 316
17	Bolts/Nuts/Washers	Stainless Steel 316
18	Bolt	Steel FeZn5 gr 12.9, zinc plated
19	Plastic Cap	Plastic PE
20	Protect Cap	Plastic PE
21	Draining Valve	Plastic PPC



DN	80
AF01	
Weight kg	8