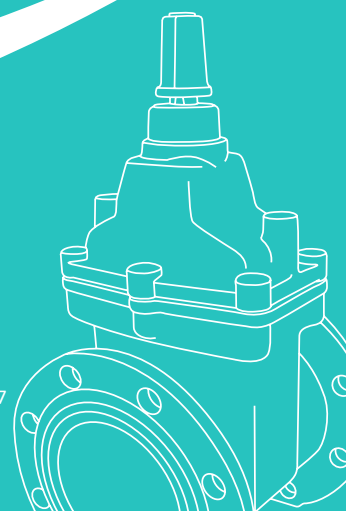




# Eco Valve™





**Aeon, part of Radius Flow Control** is a manufacturer of innovative valve solutions for the control of gases and fluids for water and gas pipeline networks.

With our office in Dubai, we have been for many years, successfully supplying our patented gate valves globally, and service our customers in Middle East and in Africa.

## Introducing the new EcoValve™

For many years, we have cooperated with dedicated suppliers of approved components and coatings who deliver high quality products. We believe that by using high quality components we can increase the efficient and safe operation of our valves, which in turn will make a positive contribution to preserving our natural resources such as water and gas, and promote a cleaner environment. This is why we place great emphasis on safety, durability and ease of use, when we develop our valve solutions.

Colour coded blue for water applications, our EcoValve™ are internally and externally protected with a minimum epoxy coating thickness of 250/300 microns for optimum corrosion resistance. For challenging environments, bespoke valves with higher grade components can be manufactured on request.

Easy to install and operate, the Aeon EcoValve™ are approved to international standards for water applications and are supplied with a traceability barcode, to maximise visibility within the supply chain.

### APPLICATION

Drinking water, wastewater treatment and other non-aggressive fluids with maximum temperature of 70°C.

### PRESSURE TESTS

Tested in accordance with the following water standards:  
EN 1074-1, 2:2002  
EN 12266-1:2012  
- leak tightness 1.5 x PN  
- seat tightness 1.1 x PN  
- seat tightness at low pressure 0.5 bar

### TECHNICAL DATA

**Nominal diameter:** DN40-DN600  
**Flange face to face dimensions:** EN 558 series 3 (BS), series 14 (F4), series 15 (F5)  
**Working pressure:** PN10 / PN16



## Features & Benefits

Body and wedge made from ductile iron  
EN-GJS 400-18 (GGG40), EN-GJS 500-7 (GGG50),

Full bore gate valves guarantee **smooth flow**,  
eliminating any possible obstruction (such as debris)  
during operation, whereas gate valves with grooves  
may be susceptible to obstruction.

Valve stem made from stainless steel X20Cr13 or SS316  
and rolled with double start thread

Wedge nut made from aluminium bronze material,  
ensuring **correct valve operation**

The valve comprises 3 O-ring stem seals, which can be  
**replaced under pressure**

Unique stem seal provides **perfect closure** during  
replacement of O-ring seal, under pressure

The coating of the valves complies with DIN 30677  
and EN 14901 and is also tested against EN 14901



A minimum coating thickness of 250/300 microns  
is applied internally and externally

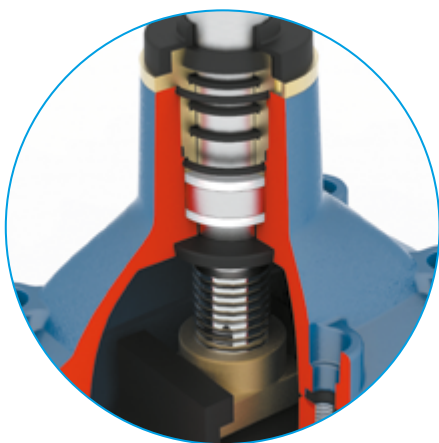
Stainless steel bolt prevents loosening of  
top bush

Bonnet bolts made from stainless steel A4-70  
are covered with a sealant to **prevent bolt head  
corrosion**

EPDM **vulcanised wedge** approved to EN 681

Wedge casting covered by a minimum rubber  
thickness of 1.5 mm

Wedge guides made from abrasion resistant  
polymer coated with PTFE



FULL TECHNICAL SPECIFICATIONS AVAILABLE  
IN OUR TECHNICAL DATASHEET.



**Aeon International Gulf LLC**

PO Box 115069

Dubai Investment Park

Dubai, United Arab Emirates

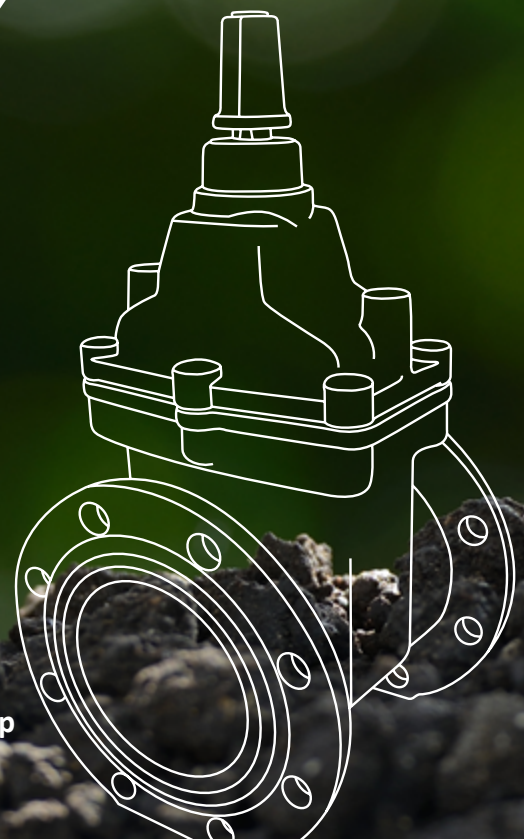
Tel No: +971 (0) 4 885 9225

Fax No: +971 (0) 4 885 9224

E-mail: [info.me@aeon-online.com](mailto:info.me@aeon-online.com)

Website: [www.aeonvalves.com](http://www.aeonvalves.com)

[www.aeonvalves.com](http://www.aeonvalves.com)



Part of the Radius Group